



GO link 2

Hi-Res, Plug-and-Play USB Dongle DAC



ifi



Summary

"Better Sound, Made Simple."

The **GO link 2** instantly transforms your phone, laptop, or PC into a high-resolution music player.

Smaller and lighter than ever, it connects effortlessly to any USB device. Just plug in your headphones and experience **studio-quality sound** wherever you GO.

Unique Selling Points:

S-Balanced output halves headphone crosstalk

THD Compensation cuts distortion by 62%

Dynamic Range Enhancement adds up to 6dB extra dynamics

Features and Functionality:

Upgrades headphone listening from any USB device

ESS Sabre DAC unlocks hi-res playback from streaming services

Customisable digital filtering via the Nexis mobile app

29% lighter and 8% more compact than the original





Better Sound, Made Simple.

Smartphones and laptops aren't designed for great sound.

Audio has long been an afterthought, built to be "good enough" for basic music playback.

For music lovers, the step up to better sound has traditionally meant added cost and complexity: extra boxes, extra cables, extra decisions.

The GO link 2 **breaks this barrier** by bypassing the internals of your device and transforming it into a high-resolution music player.

It's **better sound, made simple.**

Key Features



Supports Hi-Res PCM
384kHz & DSD256 formats



29% lighter and a
more compact body



Hi-Fi DAC with Jitter
Elimination



Dynamic Range
Enhancement Technology

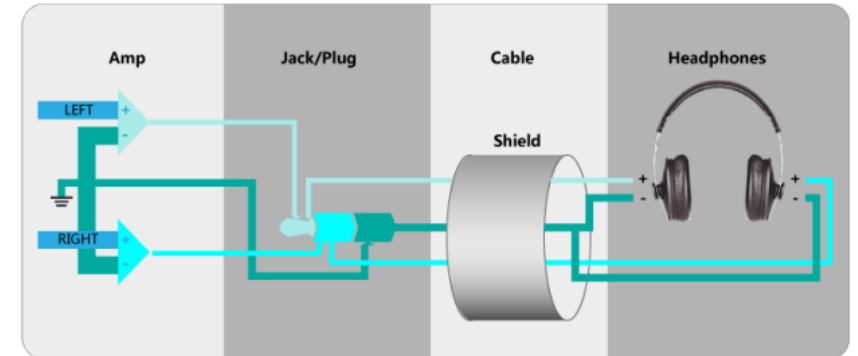


Unique Selling Points

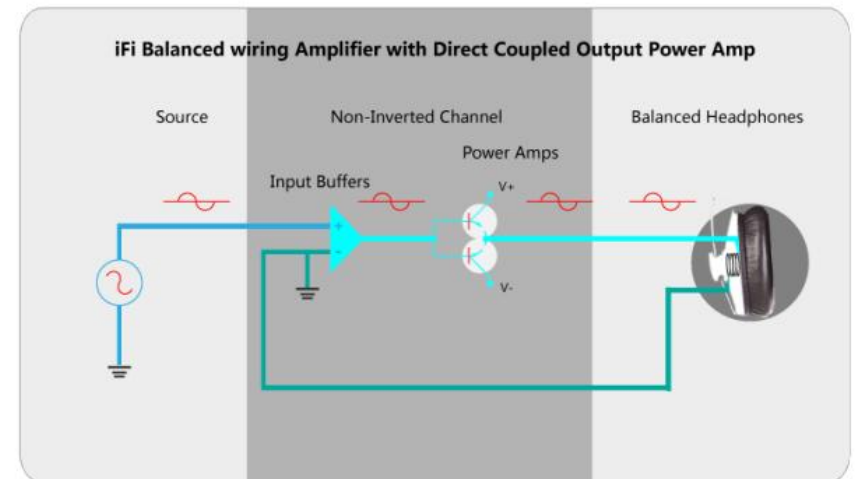
Balanced Performance. For Everyone.

The GO link 2 is the latest device to incorporate our in-house **S-Balanced technology**. This unique circuitry takes a different approach to how signal noise and crosstalk is handled.

By applying balanced circuitry principles to the single-ended headphone output, S-Balanced technology **cuts the crosstalk between headphone channels in half**, to guarantee maximum performance with minimum interference.



A typical TRS headphone connection, where both channels share a ground.



The S-Balanced solution, where each channel has a dedicated negative wire all the way to each channel amp's star ground.



Dramatically Dynamic.

The GO link 2 brings music to life with exciting highs and deep lows, making every moment more **intense** and **engaging**.

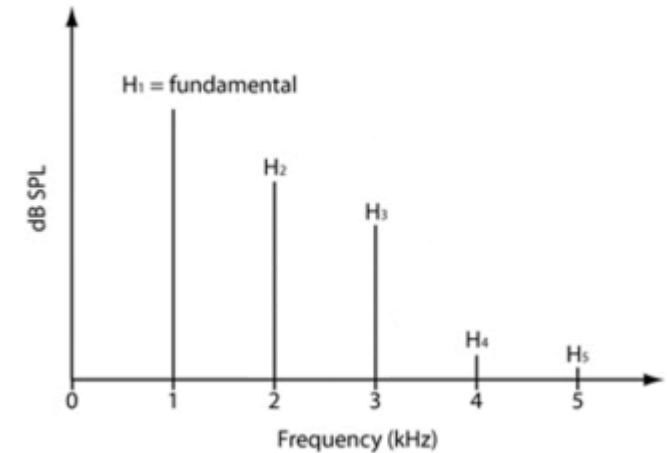
We've **hacked** the DAC chip to unlock Dynamic Range Enhancement (DRE), giving **+6dB additional range** between the loudest and quietest moments.

Distortion, Defeated.

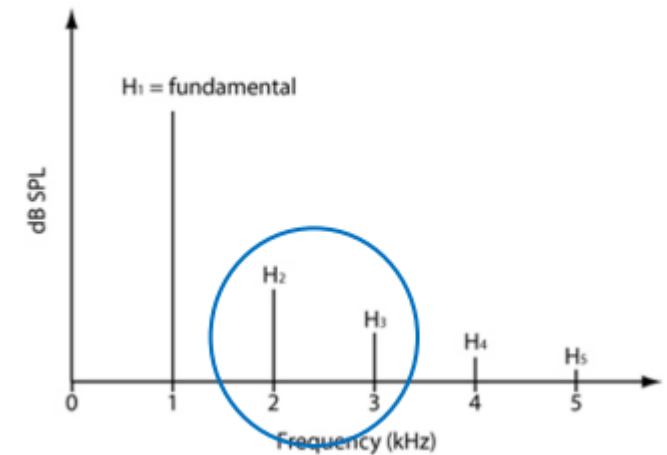
The GO link 2 includes enhancements unlocked within the DAC chipset to minimise total harmonic distortion (THD), ensuring **cleaner, purer sound**.

By adjusting a correction factor inside the DAC chips, this rarely-used feature reduces the 2nd and 3rd harmonics, **reducing distortion by up to 62%** compared to the original GO link.

Before THD Compensation



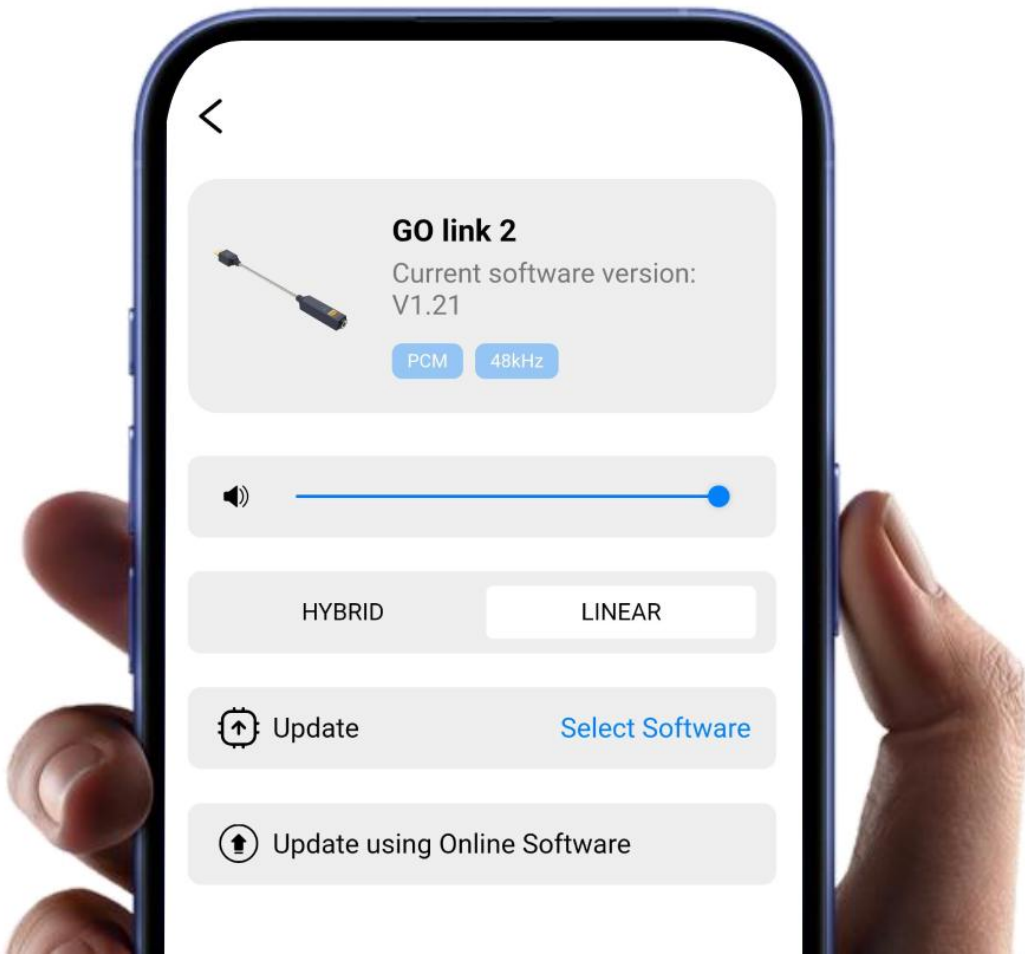
After THD Compensation



Nexis, Unlocked.

The GO link 2 is the first model in the GO link range to include **full compatibility with the iFi Nexis app**. Firmware updates can be completed over-the-air in moments, without the need for download files or desktop computers.

In addition, iFi Nexis compatibility has opened the door to new customisation options. The GO link 2 offers **two digital filter options** – hybrid and linear – allowing users to fine-tune the sound profile to their tastes in real-time.



Other Features



Clocked to Perfection.

The DAC chipset used for conversion inside the GO link 2 benefits from “**Quad DAC+**” and “**Time Domain Jitter Eliminator**” technologies.

When combined with iFi’s dedicated **GMT clock circuitry** using a specialised crystal oscillator, this ensures **ultra-low distortion**, **excellent clarity** and impressive **musical timing**.

Small Size. Big Statement.

With the GO link already famed for its compact size and feather-light weight, we challenged ourselves to take this standout feature even further.

Hitting the scales at **8% smaller** and an impressive **29% lighter** than its predecessor, the GO link 2 takes the crown as our **smallest and lightest DAC ever**.



Appendix

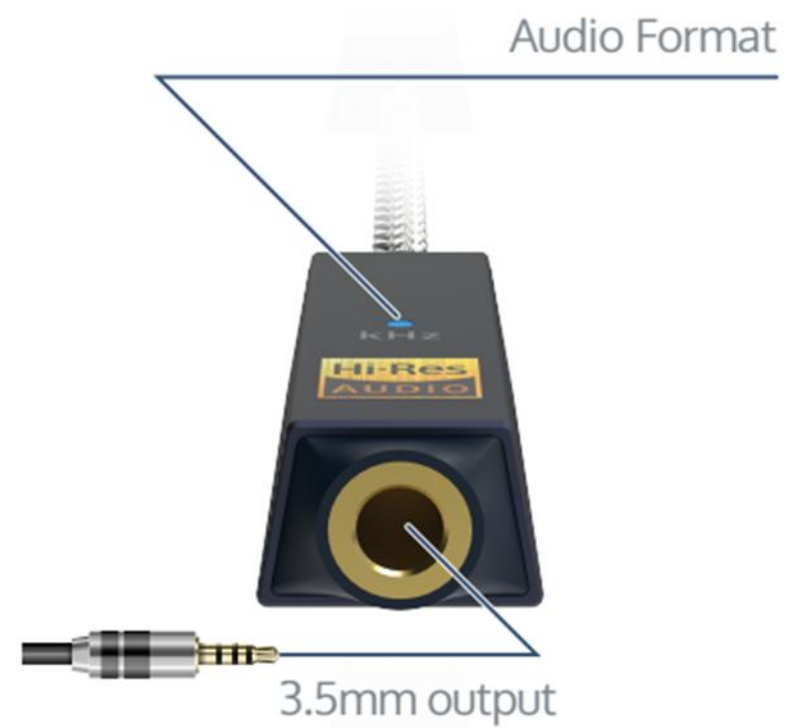


Gen 2 vs. Gen 1 Comparison



	GO link 2	GO link
Hi-Res Support	PCM 384kHz; DSD256	PCM 384kHz; DSD256; MQA Rendering
DAC	Bit-Perfect DSD & DXD DAC by ESS	Bit-Perfect DSD & DXD DAC by ESS
Headphone Output	S-Balanced* 3.5mm	S-Balanced* 3.5mm
Output Power	≥1.59V/79mW @ 32Ω	≥1.5V/70mW @ 32Ω
DNR	125dB(A)	125dB(A)
SNR	125dB(A)	125dB(A)
THD+N	≤0.0015%	≤0.004%
Dimensions	137 x 12 x 7.6mm	135 x 12.6 x 7.6 mm
Net Weight	7.8g (0.30oz)	11 g (0.4 oz)
Other Features	Nexis Support	-

Connections



Specifications

GO link 2	
Hi-Res Support	PCM 384kHz; DSD256
DAC Chipset	Bit-Perfect DSD & DXD DAC by ESS
Headphone Output	S-Balanced 3.5mm*
Output Power (RMS)	≥1.59V/79mW @ 32Ω; ≥2.0V/14mW @ 300Ω
Output Impedance	<0.4Ω
Signal-to-Noise Ratio	≥125dBA (@2.05V)
Dynamic Range	≥125dBA (@ 0dBFS)
THD+N	≤0.0015% (1.27V @ 32Ω)
Frequency Response	10Hz-80kHz (-0.5dB)
Power Consumption	No signal ~0.2W; Max signal ~1W
Dimensions	137 x 12 x 7.6mm (5.4 x 0.47 x 0.31")
Net Weight	7.8g (0.30oz)
Limited Warranty	12 months*; 24 months in EU

ifn